

2*10/100Base-TX to 1*100Base-FX

Compact Industrial Media Converter

LT-IMC30F-1FX2TX-E Series



Features:

- 2*10/100Base-TX RJ45 ports, 1*100Base-FX SFP(/SC/ST/FC optional) fiber port
- DC 12~58V input, redundant power supply with polarity reverse/over-voltage protection
- Powerful Dip switch function:
 - 1.Port isolation; 2. Flow control; 3. Broadcast storm restrain 4. 10K Bytes Jumbo frame
- Support 1M large buffer
- Support watchdog, it can reboot if the device is frozen
- Support 4KV surge protection and ESD: Air-15kV, Contact-8kV Protection
- IP40 fan-less and Din-rail hardware design with compact size (30*85*85mm)
- Operation temperature: -40 °C ~+75 °C

Overview

The SmartByte LT-IMC30F-1FX2TX-E series are unmanaged compact industrial grade media converter with 2-port 10/100Base-TX RJ45 and 1-port 100Base-FX fiber optical interface. They are featuring with port isolation, flow control, broadcast storm restrain and 10K Bytes Jumbo frame function, which all can be configured by the Dip switch on the top panel.

LT-IMC30F-1FX2TX-E series are also high cost-effective easy-to-use devices, which provide essential industrial Ethernet networking function, such as wide range power input 12-58VDC, redundant power design with polarity reverse/over-voltage protection, robust IP40 fan-less compact housing with Din-rail installation, wide operation temperature from -40° C to 75° C as well as high-level EMI/EMC capability and so on. It is the best choice for heavy industrial factory, transportation, oil & gas, chemical, IP Surveillance and processing automation area where environmental conditions exceed commercial product specifications

Technical specification

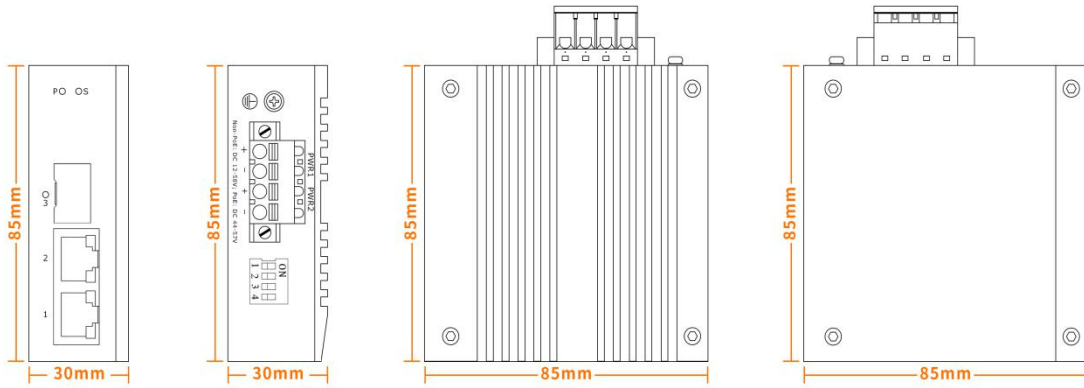
Model No.	LT-IMC30F-1FX2TX-E	
Interface	Fiber port	Copper RJ45 ports
	1	2
Ethernet	2*10/100Base-TX RJ45 1*100Base-FX SFP (SC/ST/FC optional)	
Standard	IEEE 802.3 10Base-T Ethernet IEEE 802.3u Fast Ethernet IEEE 802.3x Full-Duplex Flow Control IEEE 802.3az Energy Efficient Ethernet	
Dip Switch	<ol style="list-style-type: none"> 1. Port Isolation 2. Flow control 3. Broadcast storm restrain 4. 10K Bytes Jumbo frame 	
LED Indicators	P(Power indicator) Green	Off: the device is power off or failed
		On: the device power on is normal
	S(System indicator) Red	Off: the chip is normal
		On: the chip read/write is unnormal
1-2 (Copper ports)	Green indicators	Yellow indicators
	Off: ports link down	Off: port speed is 10M

		On: ports link up	On: port speed is 100M
		Blinking: data on TX/RX	
	3 (Fiber port) Green	Off: ports link down	
		On: ports link up	
		Blinking: data on TX/RX	
Power parameters			
Input voltage	12-58VDC, redundant power input		
Input current	0.2A Max		
Total power consumption	Full loading $\leq 2.5W$		
Connector	Removable 4-pin terminal block		
Reverse polarity protection	Support		
Over-voltage protection	Support		
Switching features			
Switching capacity	0.6G		
Packet forwarding rate	0.89 Mpps		
MAC address table	8K		
VLAN	4K		
Buffer	1M		
Forwarding delay	<10us		
Jumbo Frame	Support 10Kbytes		
MDX/MIDX	Support		
Watchdog	Support		
Network Topology			
Star topology	Support		
Bus topology	Support		
Tree Topology	Support		
Mechanical structure			

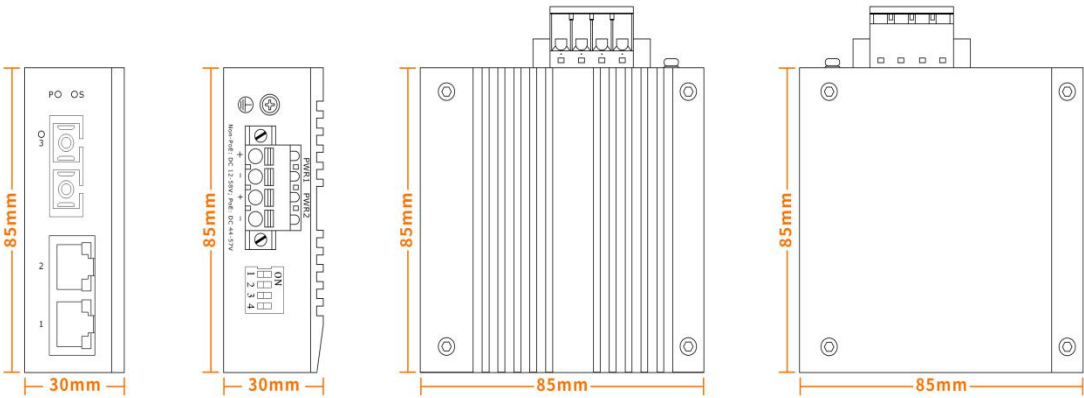
Case protection	IP40
Installation method	Din-rail
Dimension(W*D*H)mm	30*85*85mm
Weight	0.21 kg
Operating environment	
Operating temperature	-40°C~+75°C
Storage/transportation temperature	-40°C~+85°C
Relative humidity	5%~95% (non-condensing)
Industrial Standard	Surge protection of power: IEC 61000-4-5 Level 3 (4KV/2KV) (8/20us)
	Surge protection of Ethernet ports: IEC 61000-4-5 Level 3 (4KV/2KV) (10/700us)
	DIP: IEC 61000-4-11 Level 3 (10V)
	ESD: IEC 61000-4-2 Level 4 (8K/15K)
	Shock: IEC 60068-2-27
	Free fall: IEC 60068-2-32
	Vibration: IEC 60068-2-6
Certification	CCC/CE/FCC/RoHS
Warranty	5 years

Structure diagram

SFP model



SC/ST/FC model



Order information

Model	Description
LT-IMC30F-1FX2TX-E	10/100Base-TX to 100Base-FX unmanaged compact industrial media converter with 2*10/100Base-TX RJ45 ports and 1*100Base-FX SFP slot, DC12-58V input, redundant dual power supply, Din-rail installation. Fiber port transmission distance depending on the SFP module; Operation temperature: -40°C ~+75°C
LT-IMC30F-1FX2TX-SC-E	10/100Base-TX to 100Base-FX unmanaged compact industrial media converter with 2*10/100Base-TX RJ45 ports and 1*100Base-FX SC port, DC12-58V input, redundant dual power supply, Din-rail installation; Multi-mode/Single mode/ dual fiber/single fiber, 2KM -120KM optional; Operation temperature: -40°C ~+75°C
LT-IMC30F-1FX2TX-FC-E	10/100Base-TX to 100Base-FX unmanaged compact industrial media converter with 2*10/100Base-TX RJ45 ports and 1*100Base-FX FC port, DC12-58V input, redundant dual power supply, Din-rail installation; Multi-mode/Single mode/ dual fiber/single fiber, 2KM -120KM optional; Operation temperature: -40°C ~+75°C
LT-IMC30F-1FX2TX-ST-E	10/100Base-TX to 100Base-FX unmanaged compact industrial media converter with 2*10/100Base-TX RJ45 ports and 1*100Base-FX SC port, DC12-58V input, redundant dual power supply, Din-rail installation; Multi-mode/Single mode/ dual fiber/single fiber, 2KM -120KM optional; Operation temperature: -40°C ~+75°C